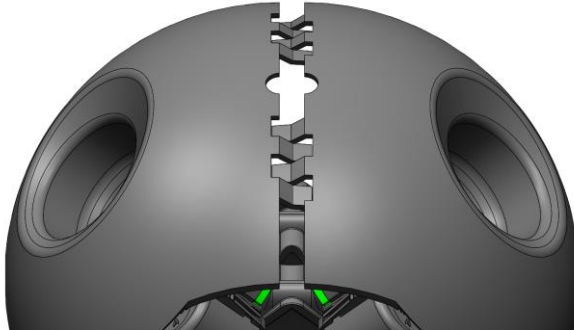


Assembly instructions D1x glare protection

Note: preliminary document

1 Assembly instructions glare protection "pano"

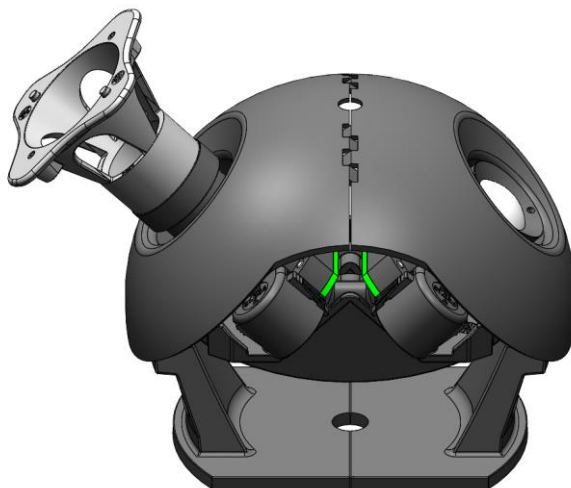
- 1) Unscrew the lenses.
- 2) Push the covers on the lens carriers at the same time, making sure that the toothing meshes with each other.



- 3) Push the covers all way down.



- 4) Screw the lenses back in and focus them by using the module key

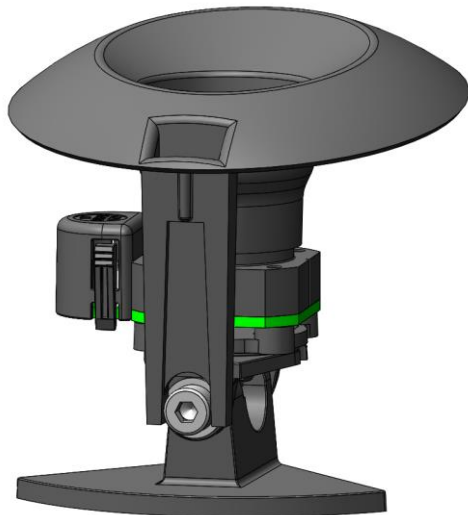


Attention:

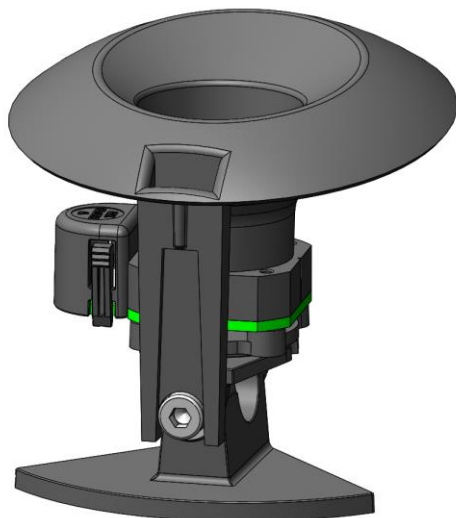
If the panorama bridge is tilted too much, the covers may collide with the camera body. In this case, the covers must be cut accordingly.

2 Assembly instructions glare protection "flex"

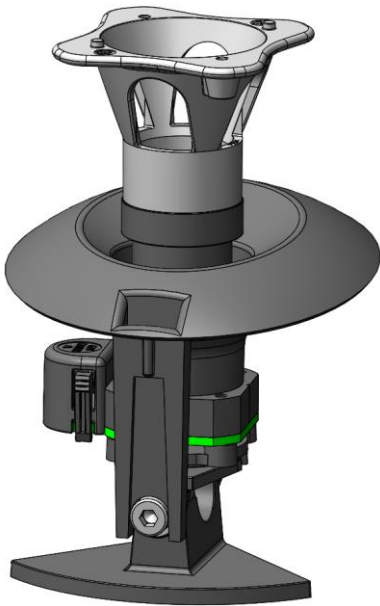
- 1) Unscrew the lenses.
- 2) Push the covers on the lens carriers, making sure that the arm encloses the side screw of the sensor module.



- 3) Push the covers all way down.



- 4) Screw the lenses back in and focus them by using the module key



Attention:

If the panorama bridge is tilted too much, the covers may collide with the camera body. In this case, the covers must be cut accordingly.

It may happen that the cap of the sensor cable collides with the arm, e.g. when the camera is mounted to the wall. In this case, the arm must be cut off below the mark and the mark must be aligned to the side screw of the sensor module.

